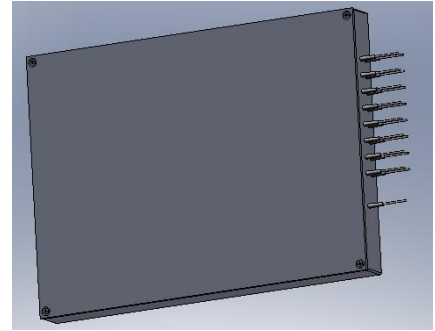


## Features

- Flat & wide passband with deep isolation
- Low IL and PDL
- Athermal and robust
- Hermetically sealed package

## Applications

- Network capacity expansion
- Metro/Long-haul systems of 40Gb/s network



## Product Description

Primanex 50GHz DWDM multi-channel multiplexer /demultiplexer (Mux /DeMux ) modules are available on ITU channel spacing of 50GHz. It is based on Primanex's 50/100GHz interleaver. They demonstrate low loss, temperature insensitivity and reliable performance in any system application.

Fixed Mux/DeMux modules offer low-cost wavelength management solutions that are suitable for long haul, metro, and access application, data center.

## Specifications

Parameter	Unit	Minimum	Typical	Maximum	Notes
Channel spacing	GHz	50			50, 100, 200GHz available upon request
Channels	NA	16			Customizable
Wavelength range (C-band)	nm	1541.35		1553.33	Customizable
Insertion Loss <sup>[1]</sup>	dB			4.0	Including connectors; Testing with passband of +/-10GHz
Insertion Loss Uniformity <sup>[1]</sup>	dB			1.5	
Wavelength Accuracy	GHz	-4		+4	
Isolation <sup>[1]</sup>	dB	25			Testing with passband of +/-10GHz
Insertion Loss Thermal Stability	dB/°C			0.02	
Passband@0.5dB	GHz	+/-10	+/-14		
Passband Ripple	dB			0.5	
PMD <sup>[1]</sup>	ps			0.2	
PDL <sup>[1]</sup>	dB			0.5	
Return loss	dB	40			
Optical Input Power	mW		300		
Operating Temperature	°C	0		+65	
Storage Temperature	°C	-40		85	
Fiber	N/A	SMF-28e+ with 900um fiber			

\*. All the specifications are based on the devices without connectors, and guaranteed over wavelength, polarization and temperature.

\*\* . Specifications are subject to change without notice.



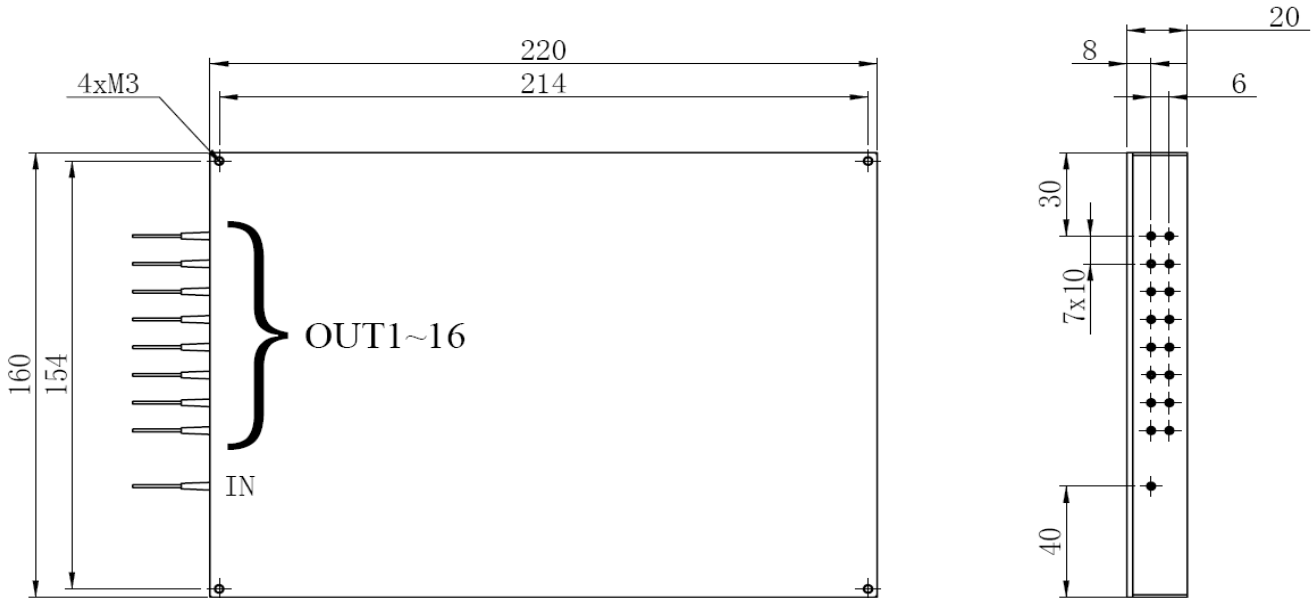
# 1x16 50GHz DWDM Demux-Mux Module

*Advanced Component for 40Gb/s Optical Network*

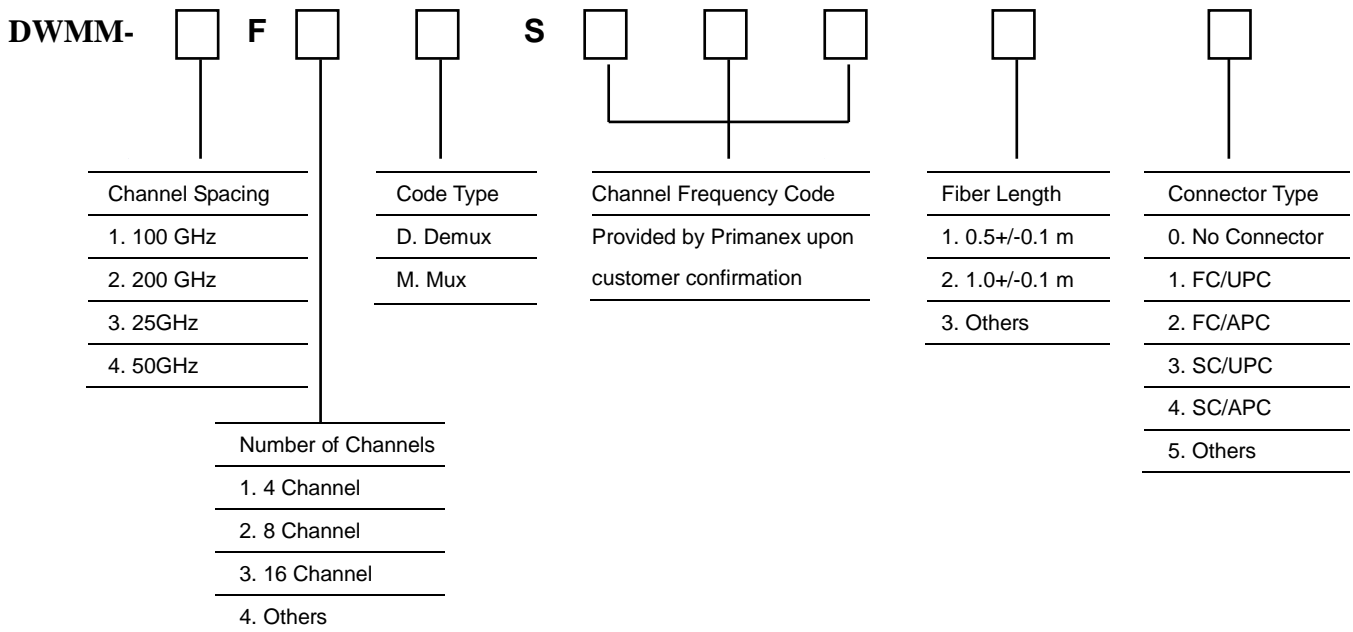
## Mechanical Parameters

Dimensions	220*160*20mm or Customizable
Fiber Length	1+/-0.1m or Customizable
Optical connector type	FC/APC or Customizable

## Dimensions Drawing (unit: mm)



## Ordering Information(Example:DWMM-4F3DS02620)



All statements, technical information and recommendations related to the products herein are based upon information believed to be reliable or accurate. However, the accuracy or completeness thereof is not guaranteed, and no responsibility is assumed for any inaccuracies. The user assumes all risks and liability whatsoever in connection with the use of a product or its application. Primanex reserves the right to change at any time without notices the design, specifications, function, fit or form of its products described herein, including withdrawal at any time of a product offered for sale herein. Primanex makes no representations that the products herein are free from any intellectual property claims of others. Please contact Primanex for more information. Primanex and the Primanex logo are trademarks of Primanex Corporation. Other trademarks are the property of their respective holders.